

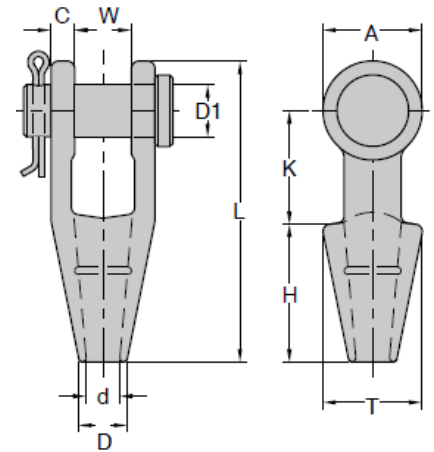


Wah Yong (M) Sdn Bhd

198201009356 (89080-D)

FORGED OPEN SPELTER WIRE ROPE SOCKET

with Round Pin



Item Code	Rope Dia. mm	Structural Strand Dia. mm	A mm	C mm	D mm	D1 mm	d mm	H mm	K mm	L mm	T mm	W mm	Net Weight kg
8-734-06G	6-7	--	33	9	18	17	11	57	40	115	39	23	0.5
8-734-10G	8-10	--	38	11	21	20	13	57	45	123	44	21	0.6
8-734-13G	11-13	--	48	13	25	25	15	63	54	142	50	25	1.1
8-734-16G	14-16	13	58	14	29	30	18	76	64	172	57	32	1.8
8-734-22G	22-23	18-20	80	20	38	41	24	102	89	235	85	45	4.7
8-734-26G	24-26	22-23	96	23	44	51	29	114	102	268	95	52	7.4
8-734-28G	28-30	24-25	105	25	51	56	32	127	117	300	105	57	10.1

- YOKE Spelter Sockets are forged steel socket through 1-1/2", cast steel 1-5/8" up to 3-3/4".
- YOKE Spelter Sockets properly applied have an efficiency rating of 100% based on the catalog strength of wire rope.
- Socket size 1/4" thru 3/4" use one groove, 7/8" thru 1-1/2" use 2 grooves, 1-5/8" and larger use 3 grooves.
- Open Spelter sockets meet the performance requirements of Federal Specification RR-S- 550E, Type A.
- In accordance with ASME B30.9, all assembly slings with poured Spelter shall be proof loaded.

Contact our support & sales team. We are here to help.

24, Jalan Mega 1/7, Taman Perindustrian Nusa Cemerlang, 79200 Iskandar Puteri, Malaysia

Phone: +607-535 3380 | Mobile: +6010-762 2880 | Email: sales@wahyong.com | Website: www.wahyong.com