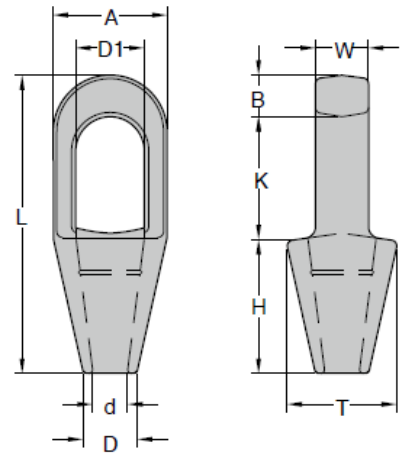




# Wah Yong (M) Sdn Bhd

198201009356 (89080-D)

## FORGED CLOSED SPELTER WIRE ROPE SOCKET



Item Code	Rope Dia. mm	Structural Strand Dia. mm	A mm	B mm	D mm	D1 mm	d mm	H mm	K mm	L mm	T mm	W mm	Net Weight kg
8-735-10G	8-10	--	43	16	21	25	13	57	51	124	43	18	0.4
8-735-13G	11-13	--	51	18	25	30	14	64	57	138	50	22	0.7
8-735-16G	14-16	13	67	21	28	36	18	76	64	160	63	25	1.2
8-735-22G	22-23	18-20	92	32	38	48	24	101	89	222	88	38	3.6
8-735-26G	24-26	22-23	104	35	45	58	29	114	102	251	96	45	4.9
8-735-28G	28-30	24-25	114	38	51	65	32	127	114	279	105	50	7.2

- YOKE Spelter Sockets are forged steel socket through 1-1/2", cast steel 1-5/8" up to 3-3/4".
- YOKE Spelter Sockets properly applied have an efficiency rating of 100% based on the catalog strength of wire rope.
- Socket size 1/4" thru 3/4" use one groove, 7/8" thru 1-1/2" use 2 grooves, 1-5/8" and larger use 3 grooves.
- Open Spelter sockets meet the performance requirements of Federal Specification RR-S- 550E, Type A.
- In accordance with ASME B30.9, all assembly slings with poured Spelter shall be proof loaded.

**Contact our support & sales team. We are here to help.**

24, Jalan Mega 1/7, Taman Perindustrian Nusa Cemerlang, 79200 Iskandar Puteri, Malaysia

Phone: +607-535 3380 | Mobile: +6010-762 2880 | Email: sales@wahyong.com | Website: www.wahyong.com