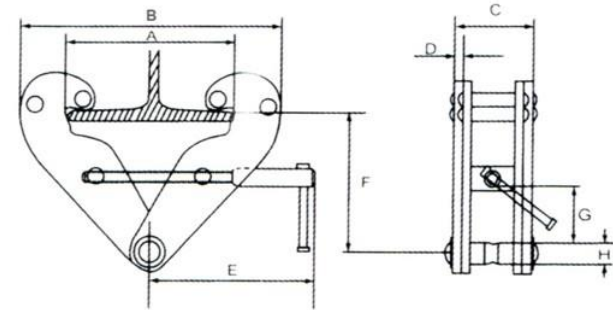




BEAM CLAMP TBC



Item Code	Capacity (ton)	Proof Load (ton)	Beam Width (mm)	A max (mm)	B min (mm)	B max (mm)	C (mm)	D (mm)	E (mm)	F max (mm)	F min (mm)	G (mm)	H (mm)	Weight (kg)
BC1T	1	1.5	75 - 220	260	180	360	64	5	215	155	102	25	22	5.1
BC2T	2	3	75 - 220	260	180	360	74	6	215	155	102	25	22	5.7
BC3T	3	4.5	80 - 320	354	235	490	103	8	260	225	140	45	24	10.5
BC5T	5	7.5	80 - 320	354	235	490	110	10	260	225	140	45	28	12.9
BC10T	10	15	80 - 350	400	250	520	120	12	280	230	160	70	44	16.5

Contact our support & sales team. We are here to help.

24, Jalan Mega 1/7, Taman Perindustrian Nusa Cemerlang, 79200 Iskandar Puteri, Malaysia

Phone: +607-535 3380 | Mobile: +6010-762 2880 | Email: sales@wahyong.com | Website: www.wahyong.com