

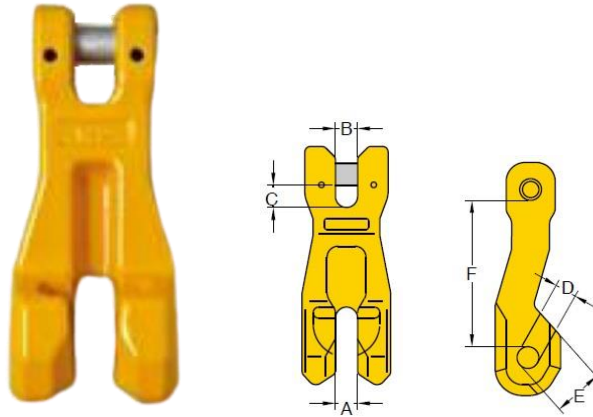


Wah Yong (M) Sdn Bhd

198201009356 (89080-D)

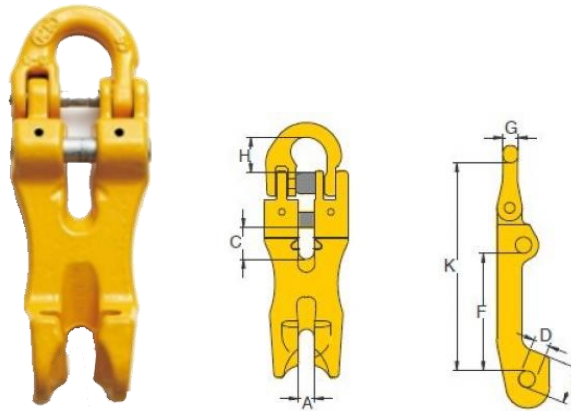


G80 CLUTCH



G80 CLEVIS CLUTCH CODE "KC"

Item Code	Chain Size	WLL	A	B	C	D	E	F	N. Weight
	mm	tons	mm	mm	mm	mm	mm	mm	kg
8-060-07	7,8	2	8	9	10	9	16	62	0.4
8-060-10	10	3.15	12	12	14	12	25	87	1.0
8-060-13	13	5.3	16	17	17	15	32	115	2.0
8-060-16	16	8	20	20	19	19	39	143	3.2



G80 SHORTENING CLUTCH WITH HALF LINK

Item Code	Chain Size	WLL	A	C	D	E	F	H	G	K	N. Weight
	mm	tons	mm	mm	mm	mm	mm	mm	mm	mm	kg
8-078-07	7,8	2	12	20	10	23	70	22	9	128	0.7
8-078-10	10	3.15	13	26	12	29	87	26	11	154	1.3
8-078-13	13	5.3	15	33	16	37	115	36	15	203	2.8
8-078-16	16	8	21	39	19	46	143	39	19	248	5.3

- Design factor 4:1 proof tested and certified.
- Tested acc. to EN 1677

Contact our support & sales team. We are here to help.

24, Jalan Mega 1/7, Taman Perindustrian Nusa Cemerlang, 79200 Iskandar Puteri, Malaysia

Phone: +607-535 3380 | Mobile: +6010-762 2880 | Email: sales@wahyong.com | Website: www.wahyong.com