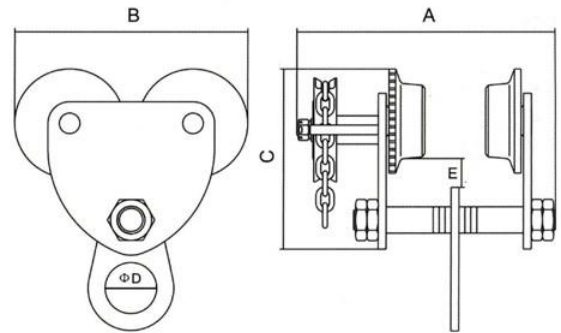




Wah Yong (M) Sdn Bhd

198201009356 (89080-D)

GEARED TROLLEY VIT-II

KYOTO

Item Code	Capacity (ton)	Proof Load (ton)	Beam Width (mm)	A (mm)	B (mm)	C (mm)	D (mm)	E (mm)	Min. Radius Curve (m)	Weight (kg)
GEARTROLLEY(KT)1Tx3M	1	1.5	75 - 125	255	204	164	45	18.25	1	12.1
GEARTROLLEY(KT)2Tx3M	2	3	100 - 150	292	233	180	60	21	1.1	14.4
GEARTROLLEY(KT)3Tx3M	3	4.5	100 - 150	314	279	224.5	70	17	1.3	25.0
GEARTROLLEY(KT)5Tx3M	5	7.5	125 - 175	360	306	252	80	16.5	1.4	37.1
GEARTROLLEY(KT)10Tx3M	10	15	125 - 210	457	389	383.5	80	48	2.6	96.0

Contact our support & sales team. We are here to help.

24, Jalan Mega 1/7, Taman Perindustrian Nusa Cemerlang, 79200 Iskandar Puteri, Malaysia

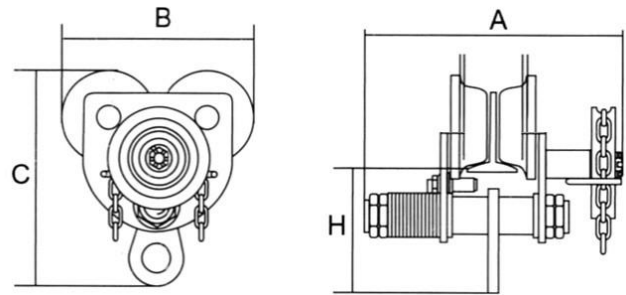
Phone: +607-535 3380 | Mobile: +6010-762 2880 | Email: sales@wahyong.com | Website: www.wahyong.com



Wah Yong (M) Sdn Bhd

198201009356 (89080-D)

PLAIN TROLLEY JTPT-A



Item Code	Capacity (ton)	Rated Load (kN)	Beam Width (mm)	A (mm)	B (mm)	C (mm)	H (mm)	Weight (kg)
GEARTROLLEY(JT)1Tx3M	1	12.5	80 - 146	317	260	253	170	11.2
GEARTROLLEY(JT)2Tx3M	2	25	80 - 168	360	300	310	180	13.0
GEARTROLLEY(JT)3Tx3M	3	37.5	88 - 168	380	345	357	190	27.0
GEARTROLLEY(JT)5Tx3M	5	62.5	100 - 180	400	395	400	210	39.0
GEARTROLLEY(JT)10Tx3M	10		122 - 203	-	-	-	-	86.0

- Driven by pulling the hand chain and travels along the lower edge of I-beam.
- Applicable to factories, mine, wharf, dock, warehouses, construction site and machine room and etc.
- Used to install the machine equipment and lift goods.
- Suitable for the work environment without power.
- Safety and simply maintenance.
- Compact structure and small package size.
- The distance between its wheels is easy to adjust and can be used in many kinds of I-beam.
- It's so high transmission efficiency that do need less output.
- It can be drove in a small turning diameter.
- The hinge links the left and right-side plate to guarantee equal force.

Contact our support & sales team. We are here to help.

24, Jalan Mega 1/7, Taman Perindustrian Nusa Cemerlang, 79200 Iskandar Puteri, Malaysia

Phone: +607-535 3380 | Mobile: +6010-762 2880 | Email: sales@wahyong.com | Website: www.wahyong.com