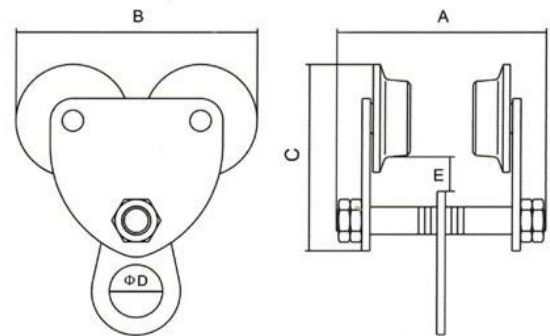




Wah Yong (M) Sdn Bhd

198201009356 (89080-D)

PLAIN TROLLEY VIT-II



Item Code	Capacity (ton)	Proof Load (ton)	Beam Width (mm)	A (mm)	B (mm)	C (mm)	D (mm)	E (mm)	Weight (kg)
PLAINTROLLEY(KT)0.5T	0.5	0.75	75 - 125	200	170	134.5	35	19.5	4.5
PLAINTROLLEY(KT)1T	1	1.5	75 - 125	210	204	164	44	18.25	7.4
PLAINTROLLEY(KT)2T	2	3	100 - 150	242	233	180	60	21	11.9
PLAINTROLLEY(KT)3T	3	4.5	100 - 150	262	279	224.5	70	17	20.0
PLAINTROLLEY(KT)5T	5	7.5	125 - 175	297	306	252	80	16.5	32.1
PLAINTROLLEY(KT)10T	10	15	125 - 210	410	389	383.5	80	48	91.0

Contact our support & sales team. We are here to help.

24, Jalan Mega 1/7, Taman Perindustrian Nusa Cemerlang, 79200 Iskandar Puteri, Malaysia

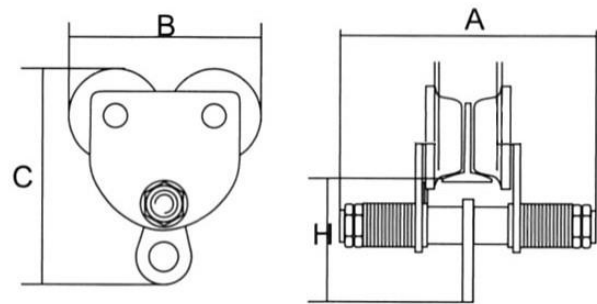
Phone: +607-535 3380 | Mobile: +6010-762 2880 | Email: sales@wahyong.com | Website: www.wahyong.com



Wah Yong (M) Sdn Bhd

198201009356 (89080-D)

PLAIN TROLLEY JTPT-A



Item Code	Capacity (ton)	Rated Load (kN)	Beam Width (mm)	A (mm)	B (mm)	C (mm)	H (mm)	Weight (kg)
PLAINROLLEY(JT)0.5T	0.5	6.25	68 - 126	208	216	200	150	5.0
PLAINROLLEY(JT)1T	1	12.5	80 - 146	242	260	253	170	8.7
PLAINROLLEY(JT)3T	3	37.5	88 - 168	300	345	357	190	24.0

- Travels along the lower edge of I-beam.
- Applicable to factories, mine, wharf, dock, warehouses, construction site and machine room and etc.
- Used to install the machine equipment and lift goods.
- Suitable for the work environment without power.
- Safety and simply maintenance.
- Compact structure and small package size.

Contact our support & sales team. We are here to help.

24, Jalan Mega 1/7, Taman Perindustrian Nusa Cemerlang, 79200 Iskandar Puteri, Malaysia

Phone: +607-535 3380 | Mobile: +6010-762 2880 | Email: sales@wahyong.com | Website: www.wahyong.com