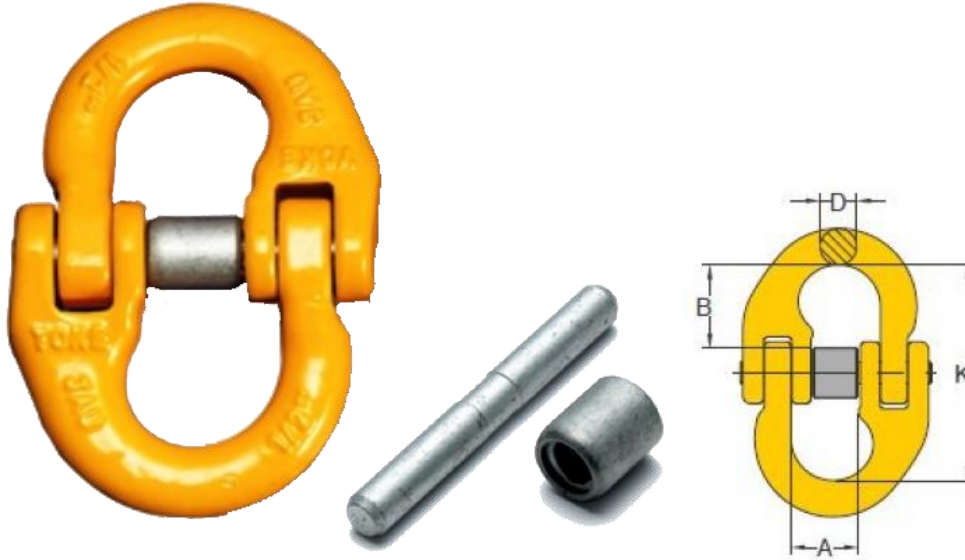




G80 CONNECTING LINK



G80 CONNECTING LINK, CODE "YA"

Item Code	Chain Size	WLL	A	B	D	K	N. Weight
	mm	tons	mm	mm	mm	mm	kg
8-015-06	6	1.12	15	17	7	44	0.08
8-015-10	10	3.15	25	26	11	68	0.3
8-015-16	16	8	36	38	19	100	1.1
8-015-20	18, 20	12.5	42	46	22	122	1.9
8-015-22	22	15	49	59	24	152	3.0
8-015-26	26	21.2	55	62	30	162	5.0
8-015-32	32	31.5	69	79	36	202	9.0

Contact our support & sales team. We are here to help.

24, Jalan Mega 1/7, Taman Perindustrian Nusa Cemerlang, 79200 Iskandar Puteri, Malaysia

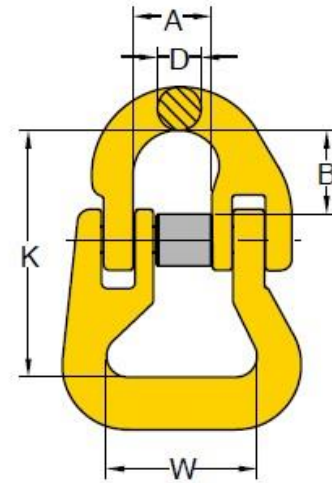
Phone: +607-535 3380 | Mobile: +6010-762 2880 | Email: sales@wahyong.com | Website: www.wahyong.com



Wah Yong (M) Sdn Bhd

198201009356 (89080-D)

G80 CONNECTING LINK



G80 WEB SLING CONNECTOR

Item Code	Chain Size	WLL	A	B	D	K	W	N. Weight
	mm	tons	mm	mm	mm	mm	mm	kg
8-016-06	6	1.12	15	17	7	55	38	0.2
8-016-07	7, 8	2	18	22	9	62	40	0.3
8-016-10	10	3.15	25	26	11	78	47	0.6
8-016-13	13	5.3	30	35	16	95	53	1.1
8-016-16	16	8	36	38	19	115	67	1.9
8-016-20	18, 20	12.5	42	46	22	132	80	3.2
8-016-22	22	15	49	59	24	187	125	7.5
8-016-26	26	21.2	55	62	30	209	150	12.0
8-016-32	32	31.5	69	79	36	279	190	19.0

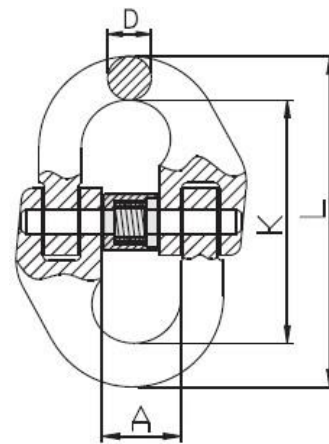
Contact our support & sales team. We are here to help.

24, Jalan Mega 1/7, Taman Perindustrian Nusa Cemerlang, 79200 Iskandar Puteri, Malaysia

Phone: +607-535 3380 | Mobile: +6010-762 2880 | Email: sales@wahyong.com | Website: www.wahyong.com



G80 CONNECTING LINK



G80 CONNECTING LINK EUROPEAN TYPE-CNL TYPE

Item Code	Chain Size	WLL	A	L	K	D	N. Weight
	mm	tons	mm	mm	mm	mm	kg
CLG80-10MM	10	3.15	25	93	68	10.8	0.3
CLG80-13MM	13	5.3	29	117	87	15	0.7
CLG80-16MM	16	8	34.5	148	108.4	19.8	1.1
CLG80-22MM	22	15	48	193.5	141.5	26	3.2
CLG80-32MM	32	31.5	67	281	205	37	9

Contact our support & sales team. We are here to help.

24, Jalan Mega 1/7, Taman Perindustrian Nusa Cemerlang, 79200 Iskandar Puteri, Malaysia

Phone: +607-535 3380 | Mobile: +6010-762 2880 | Email: sales@wahyong.com | Website: www.wahyong.com

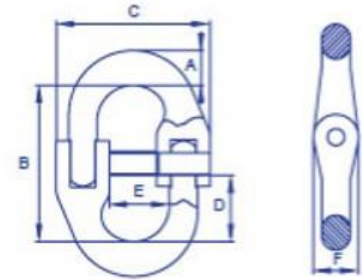


Wah Yong (M) Sdn Bhd

198201009356 (89080-D)

G80 CONNECTING LINK

HARU[®] J&L[®]



Item Code	Chain Size	WLL	A	B	C	D	E	F	N. Weight
	mm	tons	mm	mm	mm	mm	mm	mm	kg
CLG80-07MM	7	1.5	8.4	47.8	47	19.8	16	14.2	0.13
CLG80-08MM	8	2	9.15	55.4	50	23.1	16.8	16	0.15
CLG80-10MM	10	3.15	11.4	64.3	63.5	26.2	21.6	19.1	0.34
CLG80-13MM	13	5.3	16.3	87.4	81.8	36.6	27.7	23.9	0.75
CLG80-16MM	16	8	19.1	105	96	43.9	35.1	28.7	1.3
CLG80-20MM	20	11.2	23.6	126	118	53.1	40.4	32.5	2.26
CLG80-22MM	22	15	26.9	140	143	58.7	50	36.6	3.41
CLG80-25MM	25	21.2	31	152	157	63.5	56.4	47.8	5
CLG80-32MM	32	31.5	38.1	189	194	78.5	64.3	55.6	9.25

Contact our support & sales team. We are here to help.

24, Jalan Mega 1/7, Taman Perindustrian Nusa Cemerlang, 79200 Iskandar Puteri, Malaysia

Phone: +607-535 3380 | Mobile: +6010-762 2880 | Email: sales@wahyong.com | Website: www.wahyong.com